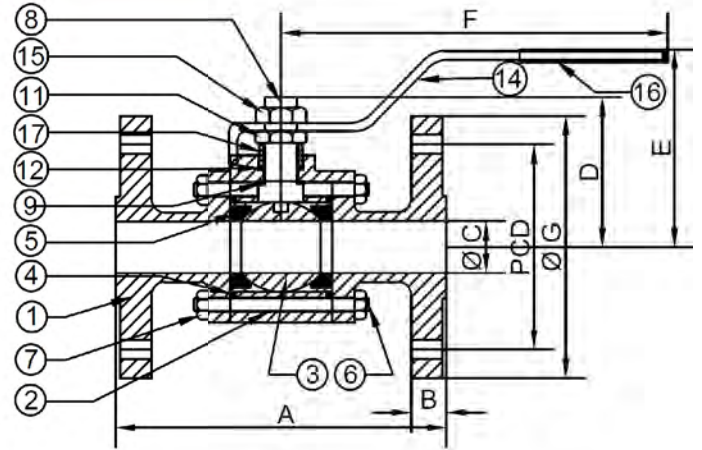




# THREE PIECE DESIGN FLANGED 150# BALL VALVE (FB)



FEATURES	
DESIGN STD	AS PER BS 5351 / IS 9890-1981
FACE TO FACE	AS PER ASME B 16.10
FLANGE END	AS PER ANSI B 16.5
TESTING STD	AS PER BS 5146, ISO 5208 / API 598

SILENT FEATURES	
1	SQUARE BODY, GLAND TYPE BODY AND ACTUATOR, MOUNTED PAD TYPE BODY AVAILABLE.
2	INVESTMENT CASTINGS BODY, SIDE PIECE
3	PNEUMATIC ACTUATOR OPERATED BALL VALVE AVAILABLE ON REQUEST.

PART NO.	PART NAME	QTY.	MATERIAL OF CONSTRUCTION		
1	FLANGE END	2	MS	CF8	CF8M
2	BODY	1	WCB	CF8	CF8M
3	BALL	1	SS 304	SS 304	SS316
4	BODY SEAL	2	PTFE	PTFE	PTFE
5	SEAT	2	PTFE	PTFE	PTFE
6	BODY STUD	04/06	CS	SS 304	SS 304
7	BODY NUT	08/12	CS	SS 304	SS 304
8	STEM	1	AISI 304	AISI 304	AISI 316
9	STEM SEAL	1	PTFE	PTFE	PTFE
11	GLAND NUT	1	CS	SS 304	SS 304
12	GLAND PACKING	1	PTFE	PTFE	PTFE
14	LEVER	1	CS	SS/CS	SS/CS
15	LEVER NUT	1	CS	SS 304	SS 304
16	SLEEVE	1	PVC	PVC	PVC
17	GLAND	1	CS	SS 304	SS 304

PARAMETERS/ SIZES	A	B	C Ø	D	E	F	G Ø	PCD
1/2"	108	11.5	12	43	60	135	90	60.5
3/4"	118	11.5	19	47	63	135	100	70
1"	127	11.5	25.4	60	76	175	110	79.5
1 1/2"	165	14.5	37.5	73	92	205	125	98.5
2"	178	16	50	85	105	230	150	120.5
2 1/2"	190	17.5	63	110	155	375	180	140
3"	203	19	75.4	117	165	375	190	152.5
4"	229	24	99.5	138	185	490	230	190.5
6"	267	25.4	149	160	190	490	280	241.5

CLASS	TEST	MEDIUM	PRESSURE	
			PSI	BAR
ASA 150	SHELL	HYDROSTATIC	400	31
ASA 150	SEAT	HYDROSTATIC	300	21
ASA 150	SEAT	AIR	85	6