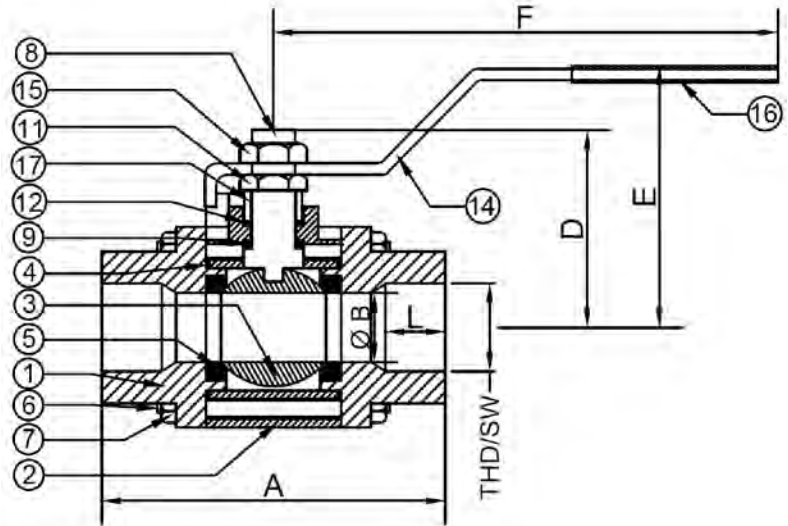
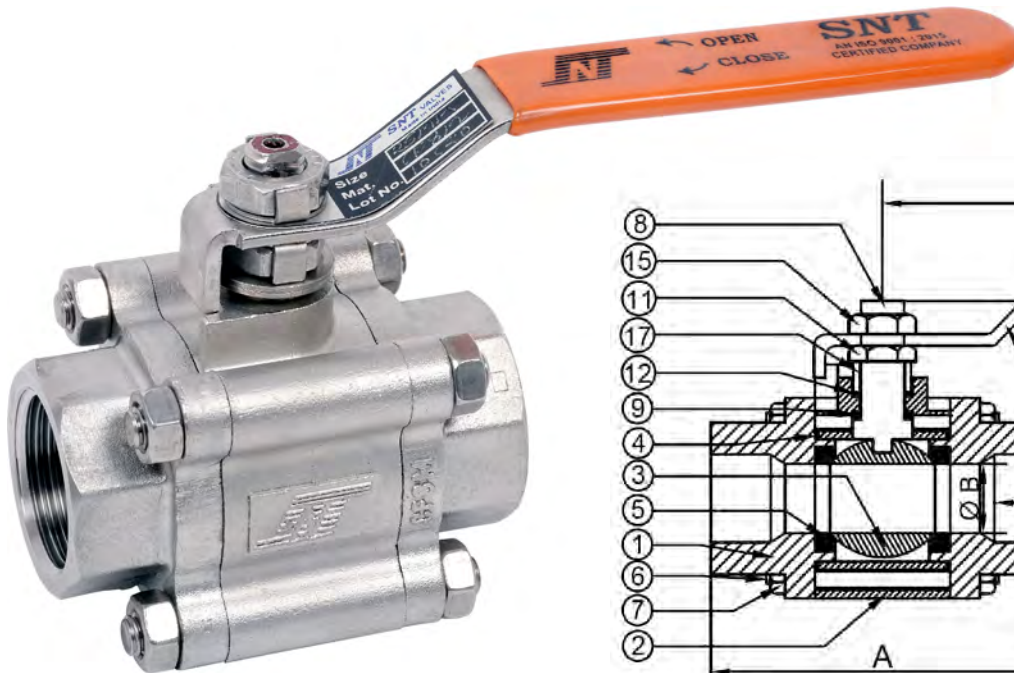




THREE PIECE SOCKET WELDED / SCREW END BALL VALVE



FEATURES	
DESIGN STD	AS PER BS 5351 / IS 9890-1981
END CONNECTOR	SOCKET END, SCREWED END BSP/NPT
TESTING STD	AS PER BS 5146, ISO 5208 / API 598
SOCKET WELD DIMENSION	ANSI B-16.11
SIZE	15MM TO 100 MM

SILENT FEATURES	
1	SQUARE BODY, GLAND TYPE BODY AND ACTUATOR, MOUNTED PAD TYPE BODY AVAILABLE.
2	INVESTMENT CASTINGS BODY, SIDE PIECE
3	PNEUMATIC ACTUATOR OPERATED BALL VALVE AVAILABLE ON REQUEST.

PART NO.	PART NAME	QTY.	MATERIAL OF CONSTRUCTION		
1	SCREWED END	2	WCB	CF8	CF8M
2	BODY	1	WCB	CF8	CF8M
3	BALL	1	SS 304	SS 304	SS 316
4	BODY GASKET	2	PTFE	PTFE	PTFE
5	SEAT	2	PTFE	PTFE	PTFE
6	BODY STUD	4	CS	SS 304	SS 304
7	BODY NUT	8	CS	SS 304	SS 304
8	STEM	1	AISI 304	AISI 304	AISI 316
9	STEM SEAL	1	PTFE	PTFE	PTFE
11	GLAND NUT	1	CS	SS 304	SS 304
12	GLAND PACKING	1	PTFE	PTFE	PTFE
14	LEVER	1	CS	SS/CS	SS/CS
15	LEVER NUT	1	CS	SS 304	SS 304
16	SLEEVE	1	PVC	PVC	PVC
17	GLAND	1	CS	SS 304	SS 304

PARAMETERS /SIZES	A	B Ø	D	E	F	SW	L
1/2"	65	12	43	60	125	21.8	10
3/4"	75	19	51	63	135	27.4	13
1"	85	25.4	60	76	135	34.1	13
1 1/2"	105	37.5	73	92	180	49	13
2"	125	50	85	105	205	61	16
2 2/1"	160	63.5	110	155	375	77.2	16
3"	175	74	117	165	375	90	19
4"	220	99	138	185	490	115.5	19

CLASS	TEST	MEDIUM	PRESSURE	
			PSI	BAR
ASA 150	SHELL	HYDROSTATIC	400	31
ASA 150	SEAT	HYDROSTATIC	300	21
ASA 150	SEAT	AIR	85	6