

AN ISO 9001 CERTIFIED COMPANY



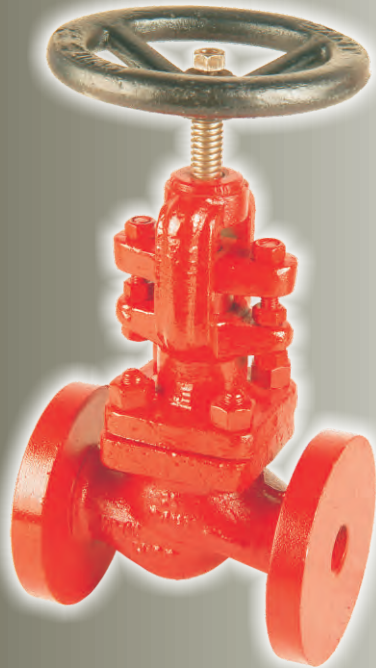
**SN GMBH**  
ROHRE BESCHLÄGE VENTILE

“ FOR GUARANTEED TROUBLE FREE SERVICE ”

IBR CS1

## Cast Steel Globe Valve

PN-40



### PRODUCT DESCRIPTION

**Product :** ,SN<sup>4</sup> Cast Steel Globe Valve  
**Product Standard :** BS 5160/DIN 2401  
**Pressure/Class/Rating :** PN-40  
**Body Material cum standard :** CCS(ASM A-216 Gr.WCB)  
**Product Description :** Bolted Bonnet O/S & Yoke  
 Type Rising Stem  
**Type of Seat :** Renewable Seat  
**Type of Disc :** Renewable Disc  
**Trim :** Stainless Steel AISI-410  
**Gland Packing :** Expanded Graphite Packing  
**End Details :** Flanges as per BS 4504 Part-1 /DIN 2545 RF Undrilled

### TESTING & CERTIFICATION

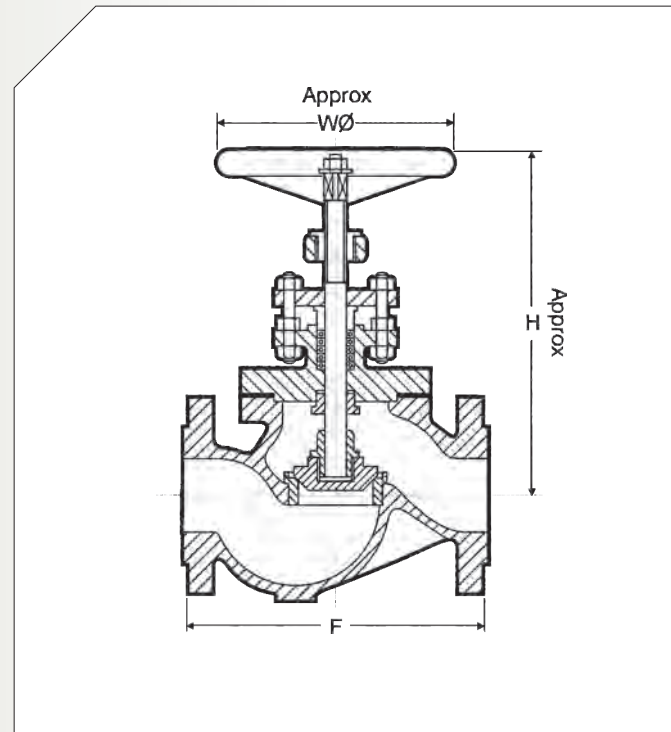
- **Body Test Pressure :** 76 bar g (1100 Psig) Hyd.
- **Seat/Back Seat Test Pressure :** 40 bar g (580 Psig) Hyd.

### MATERIALS

Components	Materials	Specifications
Body, Bonnet, Gland Flange	Cast Carbon Steel	ASTM A 216 Gr.WCB
Body Seat Ring, Valve Disc, Disc Stem Nut, Backseat Bush, Stem, Gland	Stainless Steel	AISI 410
Yoke Bush	Al-Bronze / SS410	SS 410
Gasket	Compressed Asbestos Fibre	IS:2712 Gr.C
Gland Packing	Expanded Graphite Packing	
Handwheel	Cast Iron	IS:210 Gr.FG200
Fasteners	Mild Steel	---

### DIMENSIONS IN mm

Nominal Size	F	H	W
15	130	200	125
20	150	205	125
25	160	240	160
32	180	245	160
40	200	300	200
50	230	300	200
65	290	350	250
80	310	360	250
100	350	405	315
125	400	440	315
150	480	580	400
200	600	640	400



Test Certificate in Form III-C as per IBR is furnished with every supply.

WATER

OIL

GAS

STEAM