

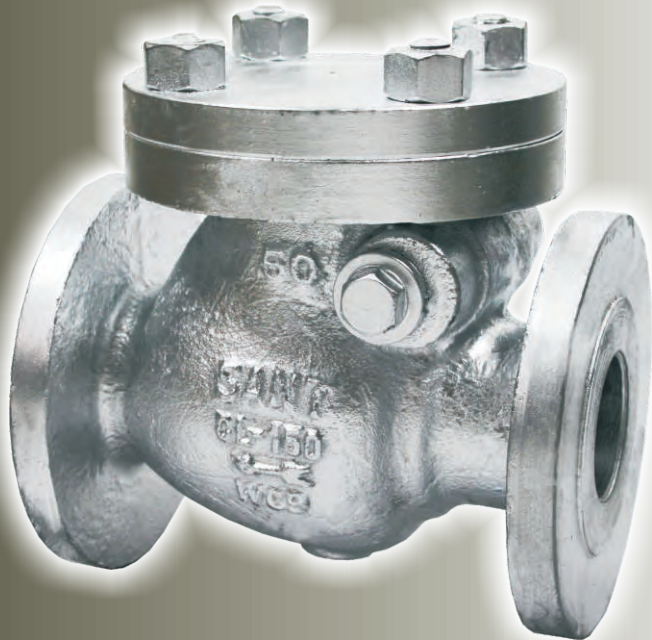


SN GMBH
ROHRE BESCHLÄGE VENTILE

“ FOR GUARANTEED TROUBLE FREE SERVICE ”

Cast Steel
Swing Check Valve

Flanged, Class-150



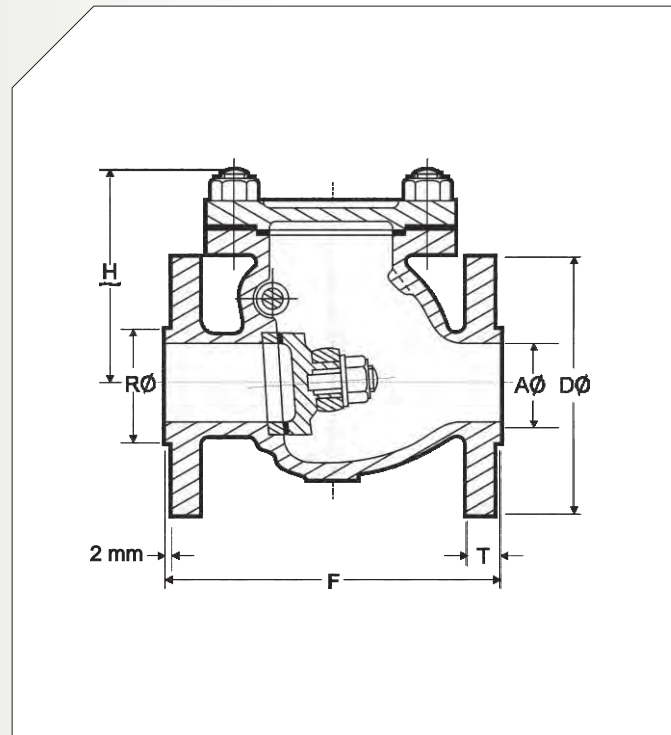
PRODUCT DESCRIPTION

Product : ,SN' Cast Steel Swing Check Valve
Product Standard : BS 1868/ANSI B 16.34
Body Material cum Standard : CCS (ASTM A-216 Gr. WCB)
Product Description : Bolted Cover
Type of Seat : Renewable Seat
Type of Disc : Renewable Disc
Hinge Pin : AISI 410 Stainless Steel
End Details : Flanges as per ANSI B 16.5 Class-150
 R.F. Undrilled

TESTING & CERTIFICATION

- **Body Test Pressure :** 30 bar g (435 Psig) Hyd.
- **Seat Test Pressure :** 22 bar g (320 Psig) Hyd.

- **Seat is also tested at low pressure of 25% of the above Test Tested as per API 598 / ANSI B16.34 / BS : 6755 PART 1**



Test Certificate in Form III-C as per IBR is furnished with every supply.

WATER

OIL

GAS

STEAM

MATERIALS

Components	Materials	Specifications
Body,Cover, Valve Disc & Lever	Cast Carbon Steel	ASTM A 216 Gr.WCB
Gasket	CAF	BS : 1832
Body Rings, Disc Seat, Pin & Side Plugs	Stainless Steel	AISI 410
Bolts	Alloy Steel	ASTM A193 Gr.B7
Nuts	HT Steel	ASTM A194 Gr.2H
Lever	MI	

DIMENSIONS IN mm / Inch

Size	H	D	T	R	F
	(mm)	(mm)	(mm)	(mm)	(mm)
25	115	110	11.6	50.8	127
40	125	125	14.7	73	165
50	140	150	16.3	92.1	203
65	155	180	17.9	104.8	216
80	175	190	19.5	127	241
100	200	230	24.3	157.2	292
125	210	255	24.3	185.7	330
150	240	280	25.9	215.9	356
200	275	345	29.0	269.9	495