



SN GMBH
ROHRE BESCHLÄGE VENTILE

“ FOR GUARANTEED TROUBLE FREE SERVICE ”

Cast Steel Globe Valve

Flanged, Class-150



PRODUCT DESCRIPTION

Product : ,SN' Cast Steel Globe Valve
Product Standard : BS 1873-1975 Class-150
Pressure/Class/Rating : Class-150
Body Material cum Standard : CCS (ASTM A-216 Gr. WCB)
Product Description : Bolted Cover O/S Yoke Type Rising Stem
Type of Seat : Renewable Seat
Type of Disc : Renewable Disc
Trim : SS AISI-410 Component With Aluminium Bronze
Yoke Bush : Aluminium Bronze
Gland Packing : Expanded Graphite Packing
End Details : Flanges as per ANSI B 16.5 Class-150 R.F. Undrilled

TESTING & CERTIFICATION

- **Body Test Pressure :** 30 bar g (435 Psig) Hyd.
- **Seat Test Pressure :** 22 bar g (320 Psig) Hyd. & 6.9 bar g (100 Psig) Air



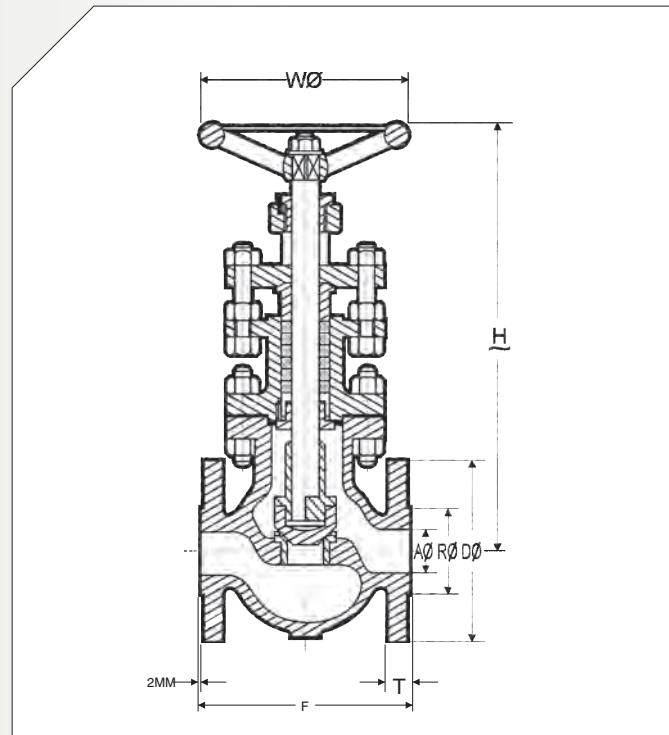
MATERIALS

Components	Materials	Specifications
Body, Bonnet, Gland Flange	Cast Carbon Steel	ASTM A 216 Gr.WCB
Gasket	CAF	BS : 1832
Gland Packing	Expanded Graphite	IS : 14329
Handwheel	Malleable Iron	
Body Rings, Gland Follower,	Stainless Steel	AISI 410
Stem, Locking Screws		UTS 392 N/mm2
Gland Bolting		ASTM A193 Gr.B7
Bolts	Carbon Steel	ASTM A194 Gr.2H
Nuts	Alloy Steel	
Yoke Bush	Al Bronze	

DIMENSIONS IN mm / Inch

Size	F	H	W	D	T	R
(mm)	(mm)	(mm)	(mm)	(mm)	(mm)	(mm)
25	127	255	125	110	11.6	50.8
32	140	270	125	115	13.2	63.5
40	165	310	160	125	14.7	73
50	203	315	160	150	16.3	92.1
65	216	385	200	180	17.9	104.8
80	241	400	200	190	19.5	127
100	292	460	250	230	24.3	157.2
150	406	560	315	280	25.9	215.9
200	495	650	400	345	29	269.9

- Tested as per API 598 / ANSI B16.34 / BS : 6755 PART 1



Test Certificate in Form III-C as per IBR is furnished with every supply.

WATER

OIL

GAS

STEAM